

# SCUDO



PVC PLASTIC OUTDOOR UNIT COVER CABINET



ARMOIRE COUVRE  
UNITÉ EXTÉRIEURE  
EN PLASTIQUE PVC



AUSSENGERÄTEABDECKUNG  
AUS PVC-KUNSTSTOFF

## TECHNICAL SPECIFICATIONS

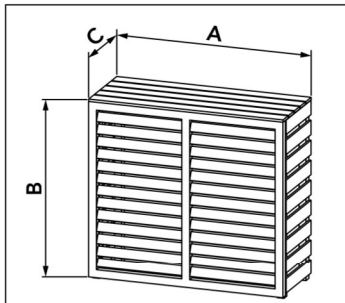
- PVC PLASTIC WITH WOOD EF
- AVAILABLE IN 2 SIZES FECT

## CARACTÉRISTIQUES TECHNIQUES

- PLASTIQUE PVC AVEC EFFET BOIS
- DISPONIBLE EN 2 TAILLES

## TECHNISCHE EIGENSCHAFTEN

- PVC-KUNSTSTOFF MIT HOLZ-EFFEKT
- ERHÄLTICH IN 2 GRÖSSEN



CODE	EXTERNAL DIMENSIONS [mm]			INTERNAL DIMENSIONS [mm]		
	A	B	C	A	B	C
SCC600001	885	691	345	785	680	295
SCC600002	990	911	395	895	900	345

FOR OUTDOOR UNITS

CODE	DESCRIPTION
SCC600001	"SCUDO SMALL" PVC PLASTIC OUTDOOR UNIT COVER CABINET
SCC600002	"SCUDO BIG" PVC PLASTIC OUTDOOR UNIT COVER CABINET



COVER FOR  
CONDENSING UNIT



BÂCHE POUR COUVERTURE  
MOTO CONDENSATEUR



ABDECKUNG FÜR  
MOTORKONDENSATOR

FOR OUTDOOR UNITS

AVAILABLE IN 7 SIZES

HOLES FOR  
VENTILATION ON REAR SIDE



REAR VIEW WITH HOLES FOR VENTILATION  
TO STOP CONDENSATION BUILDING UP



FRONT VIEW

CODE	DESCRIPTION	L [mm]	H [mm]	P [mm]
12000005	COVER FOR CONDENSING UNIT - MODEL A	770	530	260
12000006	COVER FOR CONDENSING UNIT - MODEL B	870	530	280
12000007	COVER FOR CONDENSING UNIT - MODEL C	880	530	330
12000008	COVER FOR CONDENSING UNIT - MODEL D	880	620	400
12000009	COVER FOR CONDENSING UNIT - MODEL E	950	890	370
SCD600006	COVER FOR CONDENSING UNIT - MODEL F	1000	800	400
SCD600007	COVER FOR CONDENSING UNIT - MODEL G	1100	1100	400